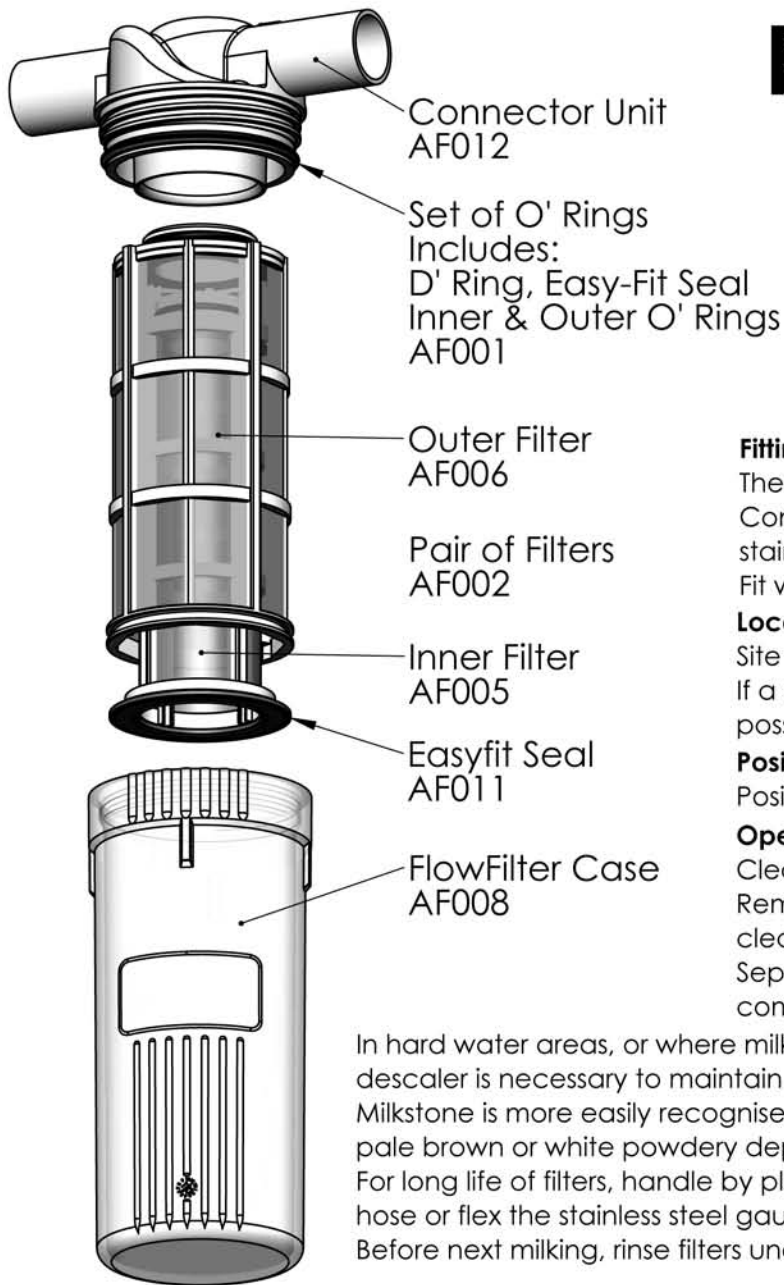
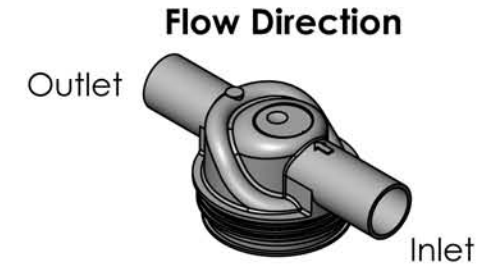
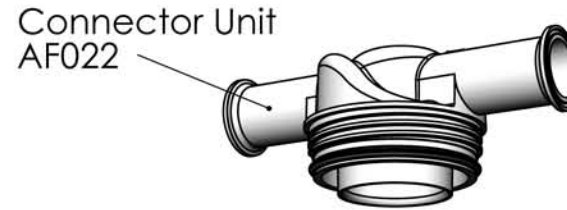


# FlowFilter Operating Notes



## Connector Unit - Tri-Clover Version



### Fitting

The FlowFilter is fitted by removing a 215mm section of pipe and connecting FlowFilter with Rubber Connectors (AP021 Reducing Bushes [  $\varnothing$ 32mm pipe] or AP022 Bushes, Jubilee Clips AP024). Do not insert stainless steel pipe into Inlet or Outlet of Connector Unit.

Fit with arrow in direction of milk flow.

### Location

Site the FlowFilter for ease of access, in a position where it is unlikely to be damaged.

If a diaphragm pump is used, it is advisable to fit the FlowFilter as far away from the pump as possible, to avoid excessive wear by constant flexing of the stainless steel gauze.

### Positioning

Positioning the FlowFilter in the positions indicated 'A' will have the advantage of self draining.

### Operation and Cleaning

Clean filters must be in place during milking.

Remove filters before cleaning milking machine. If filtration is required during cleaning then a clean spare set should be used exclusively for this purpose.

Separate filters for cleaning, rinsing debris from the gauze. Then immerse completely in a recommended cleaning solution.

In hard water areas, or where milkstone build up is apparent, regular use of a descaler is necessary to maintain filtration.

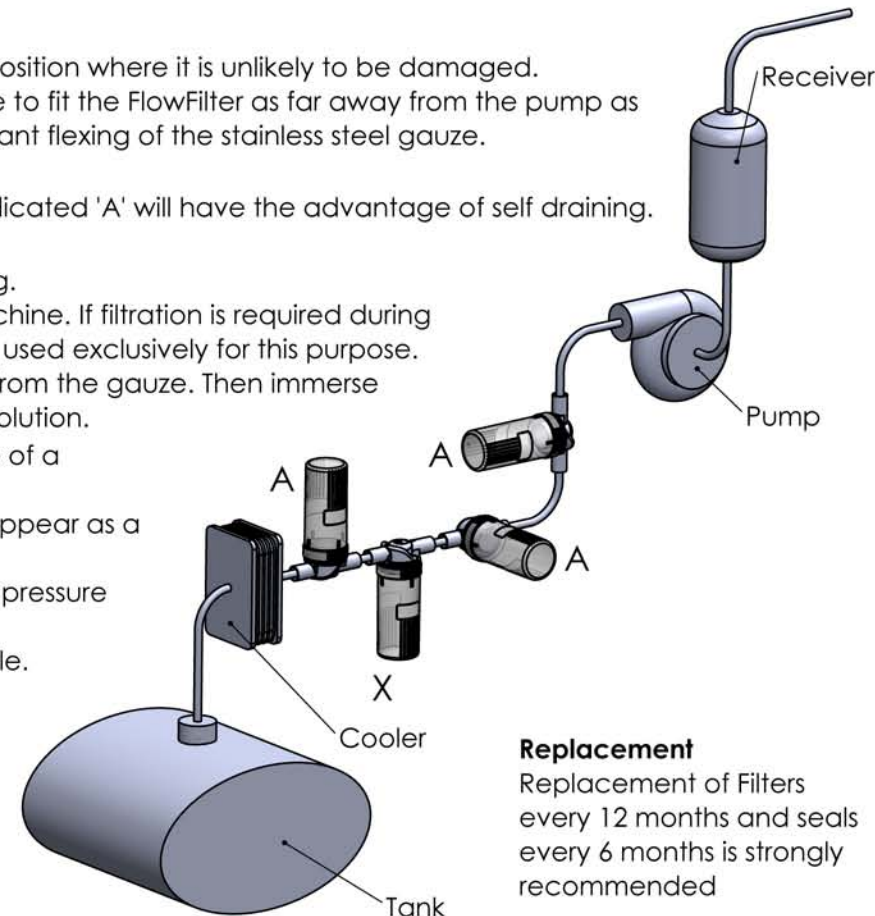
Milkstone is more easily recognised when the filter gauze is dry and will appear as a pale brown or white powdery deposit.

For long life of filters, handle by plastic frame only. Do not scrape, scrub, pressure hose or flex the stainless steel gauze.

Before next milking, rinse filters under clean running water and reassemble.

### Important Notes:

AF009 Quick Release Tool - this will aid the removal of the FlowFilter Case by the Dairyman.  
 AF011 Easyfit Seal - this should be used with all FlowFilters and Filter pairs and will ensure easy removal of Filter pairs. Sealing rings on the bottom of the Outer Filter are not compatible with the New FlowFilter Case and Connector Unit, and will invalidate any warranty claim.



### Replacement

Replacement of Filters every 12 months and seals every 6 months is strongly recommended