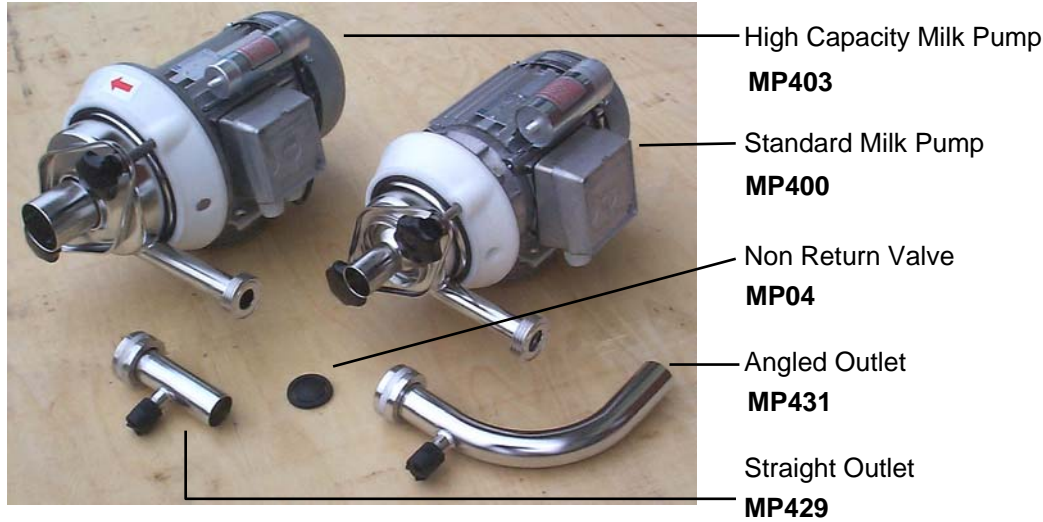




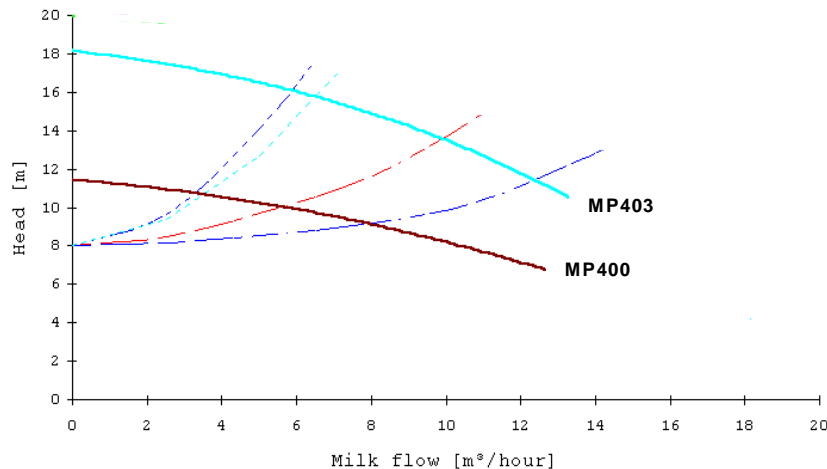
# Stainless Steel Milk Pumps From Dairy Spares Ltd

Dairy Spares Limited  
Unit 1, Civic Industrial Park  
Waymills, Whitchurch  
Shropshire SY13 1TT

Telephone: 01948 667676  
Facsimile: 01948 666505  
email: sales@dairyspars.co.uk



Setpoint of Packo pumps



--- Delivery line dia. 32  
--- Delivery line dia. 40  
- - - Delivery line dia 32 with single stage precooler  
- - - Delivery line dia. 40 with single stage precooler

## Dairy Spares Offer a Range of Packo Milk Pumps

Packo centrifugal milk pumps are known and respected throughout the dairy and chemical industries for their performance and reliability.

Electrolytically polished stainless steel pump heads ensure maximum hygiene and resistance from corrosion and chemicals.

Electric motors chosen for their matched performance to the required pumping capacity. With mechanical seals and non return flap valves.

### Standard Milk Pump MP400:

Inlet Ø 32 mm, Outlet Ø 22 mm to suit 32 mm delivery line outlets.

Capacity 9m<sup>3</sup>/h at 100 kPa and 5m<sup>3</sup>/h at 50 kPa.

Electric motor single phase 0.55 kW IP55 240V 4.1Amp.

### High Cap Milk Pump MP403:

Inlet Ø 50 mm, Outlet Ø 25 mm to suit 32 mm and 40 mm delivery line outlets.

Capacity 14m<sup>3</sup>/h at 100 kPa and 10m<sup>3</sup>/h at 50 kPa.

Electric motor single phase 0.75 kW IP55 240V 4.1Amp.

### Pump Description

Standard Packo Milk Pump 32mm Ø inlet, 0.55kW 1 phase  
 High Cap Packo Milk Pump 50mm Ø inlet, 0.75kW 1 phase

### DS code

MP400  
 MP403

### Milk Pump Outlets (1 required with each model)

Straight 32mm Ø Outlet with drain  
 Straight 40mm Ø Outlet with drain  
 Angled 32mm Ø Outlet with drain  
 Angled 40mm Ø Outlet with drain

### DS code

MP429  
 MP430  
 MP431  
 MP432

### Milk Pump Mounting

Milk Pump Mounting Bracket  
 S/S Milk Pump Cover

### DS code

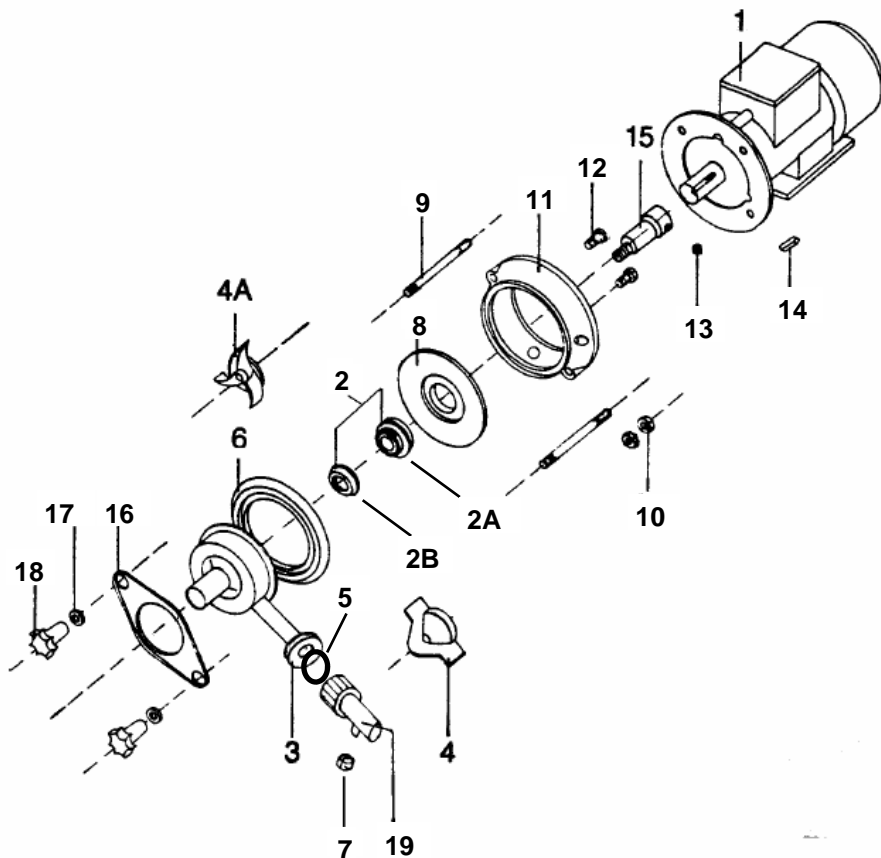
MP440  
 MP441

### Service Kits

Standard Milk Pump Service Kit MP04/30/31/33 Combined  
 High Cap Milk Pump Service Kit MP04/30/31/36 Combined

### DS code

MP37  
 MP38



| Item | Description                               | DS code  | DS code  |
|------|---|----------|----------|
|      |   | STANDARD | HIGH CAP |
| 1    | Electric Motor 0.55 kW, 1 Phase, 4.1 Amp  | MP411    |          |
|      | Electric Motor 0.75 kW, 1 Phase, 4.1 Amp  |          | MP501    |
| 2    | Milk Pump Ceramic and Mechanical Seal Kit | MP32     | MP32     |
| 2A   | Mechanical Back plate Seal                | MP30     | MP30     |
| 2B   | Ceramic Impellor Seal                     | MP31     | MP31     |
| 3    | Pump Casing                               | MP413    | MP503    |
| 4    | Impellor 2 Blade                          | MP414    |          |
| 4A   | Impellor 3 Blade                          |          | MP504    |
| 5    | Non Return Flap Valve                     | MP04     | MP04     |
| 6    | Front Plate Gasket                        | MP33     | MP36     |
| 7    | Nylon Drain Valve 3/8 BSP                 | MP417    | MP417    |
| 8    | Back Plate                                | MP418    | MP508    |
| 9    | Stud Shaft M10 (x2)                       | MP419    | MP509    |
| 10   | Nut M10(x4)                               | MP420    | MP420    |
| 11   | Flange                                    | MP421    | MP511    |
| 12   | Bolt M8 x 16 (x2)                         | MP422    | MP422    |
| 13   | Grub Screw M6 x 8                         | MP423    | MP113    |
| 14   | Shaft Key                                 | MP424    | MP514    |
| 15   | Shaft Extension                           | MP425    | MP515    |
| 16   | Clamp Plate                               | MP426    | MP516    |
| 17   | Washer 10mm (x2)                          | MP427    | MP427    |
| 18   | Hand nut (x2)                             | MP428    | MP428    |
| 19   | Straight 32mm Outlet with Drain           | MP429    | MP429    |