



TURBOWASH AIR INJECTOR

From Dairy Spares

Dairy Spares Limited
 Unit 1, Civic Industrial Park
 Waymills, Whitchurch
 Shropshire SY13 1TT

Telephone: **01948 667676**
 Facsimile: **01948 666505**
 email: sales@dairyspares.co.uk

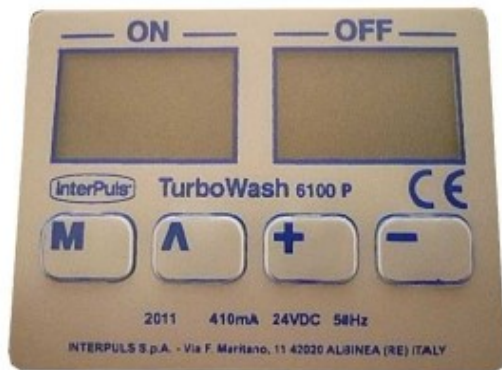
The Turbowash Air Injector WA040

The Turbo wash air injector is designed to create the optimum air injection to producing the slugs of water required to wash large bore milk lines in Direct To Line installations.

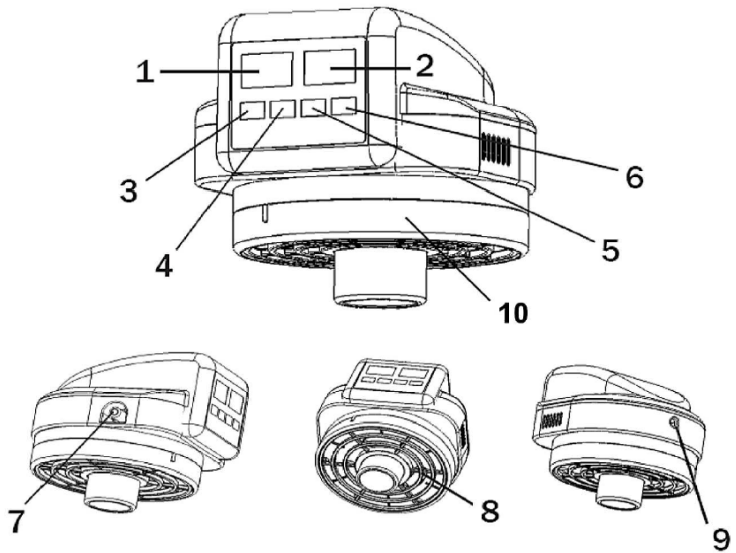
Ideally suited for 76mm large bore stainless steel milk lines where a slug of water is required at specific timed intervals during the washing cycle to ensure the washing water and chemical is able to successfully reach and clean all the internal surface of the milk line.

The Turbowash is able to generate the volume of air required to create the slug of water within the milk line to wash the top surface for the complete length of the line without dissipating.

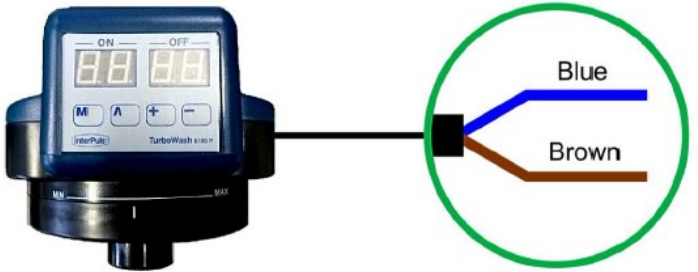
- Easy to install
- Clear digital displays count down the Cycle and Injection time
- Filtered Air Supply
- Adjustable air flow up to 6100 ltr/min
- Simple to programme both the Injection and Cycle time
- Powered by either 24 Volt DC or AC
- 40mm Connection onto Milk Line Nipple



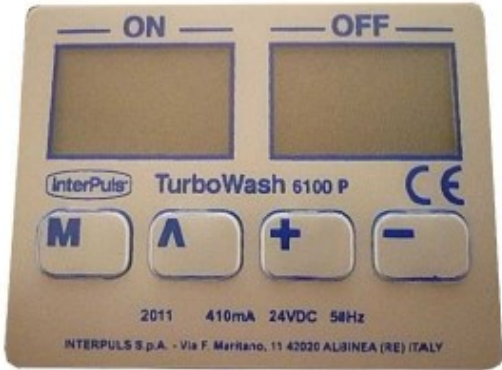
Keyboard



Legend	
1	Time ON (Air Inject Time) Display
2	Time OFF (Cycle Time) Display
3	MODE selection button (M)
4	Parameter Selection (^)
5	Increase Value (+)
6	Decrease Value (-)
7	Vacuum Supply Connection Nipple 8mm
8	Air Filter
9	Electrical Supply Connection Cable
10	Adjustment Ring for Air Admission



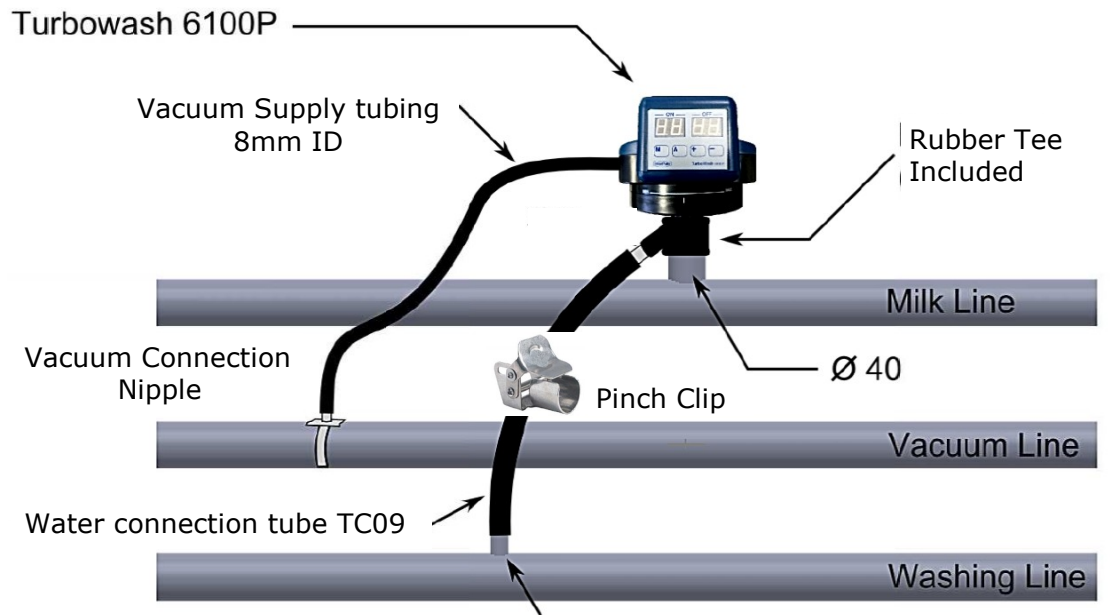
TECHNICAL DATA	DEFAULT
Operating Voltage : 24V DC or AC	
Power Consumption : 410 mA	
Maximum Capacity : 6100Ltr/min	
Time On (Air Inject) : 0 - 9.9 Sec	1.5 Sec
Time Off (Cycle) : 0 - 99 Sec	8.0 Sec



PROGRAMMING INSTRUCTIONS

- To Enter Programming Mode - Press and Hold **M** for 7 seconds
- Press **+** or **-** to adjust the programmed time settings
- Press **^** to switch to the next parameter
- Press **M** to Save and Exit
- Adjust the required Air Flow for injection with the **MIN MAX** ring

Typical Installation



18—16 mm connection nipple to wash line required depending on line size